



TECHNICAL SPECIFICATION SHEET

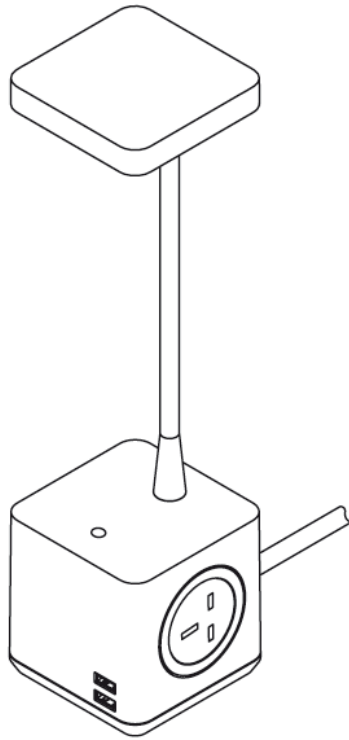
PRODUCT NAME: **Cubert** personal light, power and charging

PRODUCT CODE: PWR/002/001/W (UK version)

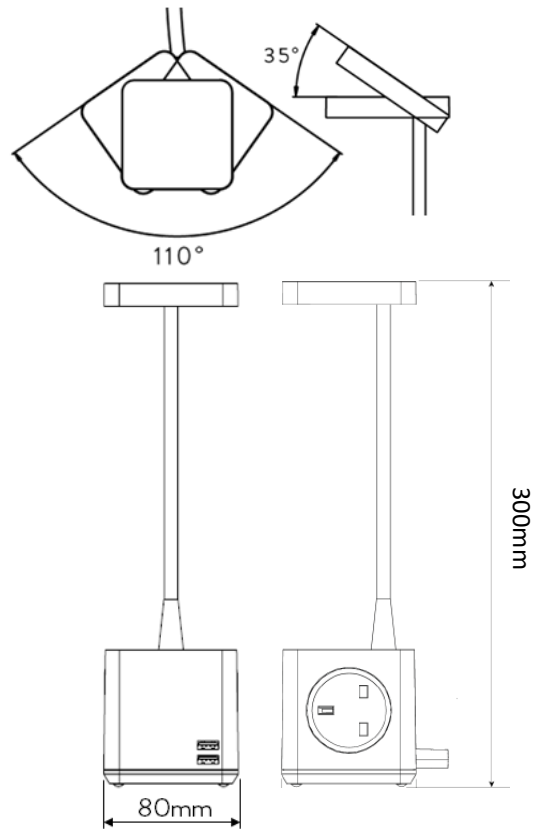
Doc Rev 5.

Product Rev #D

12.09.17. CF



PWR/002/001



KEY FEATURES

- Ultra-compact size. Small footprint occupies minimal tabletop space
- High efficiency LED light with four brightness settings and tilt / turn light head
- 2 x mains power sockets for connection and charging of mains powered devices
- 2 x USB charging sockets for direct charging of smartphones, tablets and other USB devices
- USB sockets feature smart charging technology which supplies higher 'fast charge' current to the first device to be connected
- Integrated surge protection

SPECIFICATIONS

Lighting



Electrical



SPECIFICATIONS

Product Classification: Power and Lighting

Build level: B

Recycled content: 9.107%

Total product recyclable: 61%

Physical Specifications:

Product Dimensions: H 300mm x W 80mm x D 80mm

Light head tilt angle: 35°

Light head rotation angle: 110° (55° either side of centre position)

Mains cable length: 1800mm

Product colour: White (with grey cable and details)

Lighting Specifications:

Light source: LED Cree XB-D

Light output: 426 lumen, 4-stage dimmable.

Light Watts: 5W

Light efficacy: 78lm/W

CRI: 80ra

Colour temperature: 4000K Cool White

Beam angle: 115°

Lifespan: 50,000+ hours

Electrical Specifications:

Mains power input: 100-240V AC, 13A, 50/60Hz

Mains power output: 2 x 100-240V AC, 5A max, 50/60Hz

USB output: 1st socket 5V, 1.5A DC*

2nd socket 5V, 0.5A DC*

Note* Smart charging technology supplies maximum fast charge current to first connected device

LOGISTICAL

Box contains	Cubert light/charger unit with hardwired mains cable and plug.
Product net weight:	0.96kg
Box dims (LxWxD)	370 x 180 x 120 mm
Box gross weight	1.41 kg
Carton quantity	4
Carton dims (LxWxD)	397 x 387 x 286 mm
Carton weight	6.22 kg
Country of origin	China

ORDERING INFORMATION

<u>Colour</u>	<u>Socket/plug type</u>	<u>Product code</u>	<u>EAN</u>
White	UK	PWR/002/001/W	5060270824909

WARRANTY

Warranty Term	5 years
---------------	---------

COMPLIANCE & SAFETY CERTIFICATION

Cubert has been independently tested for compliance with the following standards:

IEC/EN 60950	Information technology equipment – Safety
IEC/EN 60598	Luminaires – General requirements and tests
IEC/EN 61347	Lamp control gear – General and safety requirements
EN 61000	Electromagnetic compatibility (EMC). Limits. Limits for harmonic current emissions. Limitation of voltage changes, voltage fluctuations and flicker in low-voltage supply systems for equipment with rated current < 16 A per phase and not subject to conditional connection.
IEC/EN 62031	LED modules for general lighting - Safety
EN 55014	Limits and methods of measurement of radio disturbance characteristics of electrical lighting and similar equipment
BS 1362	UK plug and socket standard

INTERNAL TEST MEASURES

In addition to the third-party testing for electrical & lighting certification, Cubert is subject to a number of in-house physical test procedures, including:

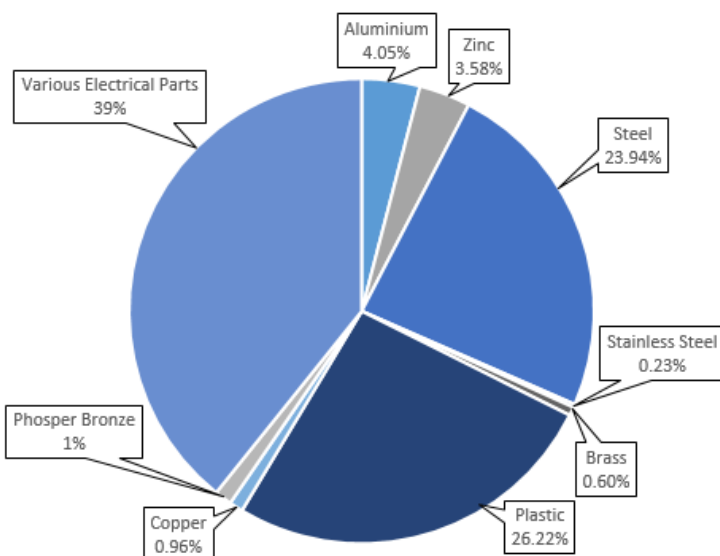
Light head: Tilt movement: 6000 cycles of movement
 Rotation movement: 6000 cycles of movement
 Mains sockets: Plug in / pull out: 3000 cycles per socket

ENVIRONMENTAL

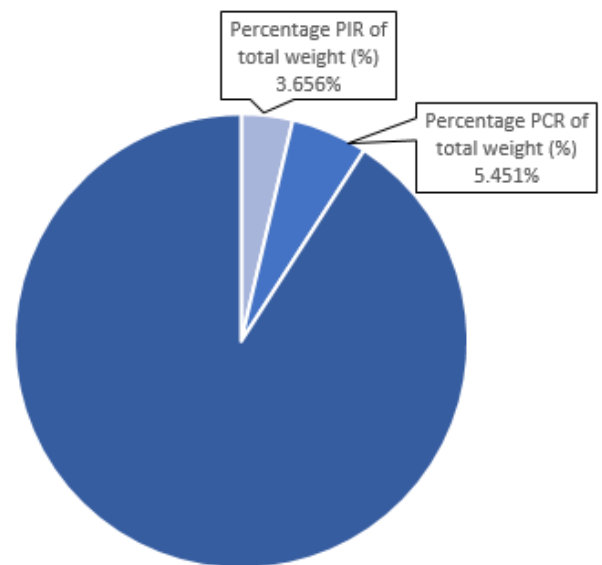
Material Make-up			Total Recycled Content	Breakdown of Recycled Content		Total Recyclable	
Overall Product			Overall Product			Overall Product	
Material type	Total Material type weight (g)	Percentage of Total Product Weight (%)	Material-Type Recycled Content (%)	Percentage PIR of total weight (%)	Percentage PCR of total weight (%)	Total Product Recyclable (g)	Total Product Recyclable (%)
Aluminium	38.600	4.05%	3.845%	2.038%	1.807%	38.600	4%
Zinc	34.100	3.58%	1.573%	0.787%	0.787%	34.100	4%
Steel	228.320	23.94%	3.112%	0.529%	2.583%	228.320	24%
Stainless Steel	2.200	0.23%	0.138%	0.083%	0.055%	2.200	0%
Brass	5.700	0.60%	0.000%	0.000%	0.000%	5.700	1%
Plastic	250.090	26.22%	0.000%	0.000%	0.000%	250.090	26%
Rubber	0.000	0.00%	0.000%	0.000%	0.000%	0.000	0%
Copper	9.110	0.96%	0.439%	0.220%	0.220%	9.110	1%
Phosper Bronze	11.400	1.20%	0.000%	0.000%	0.000%	11.400	1%
Various Electrical Parts	374.300	39.24%	0.000%	0.000%	0.000%	0.000	0%
Total	953.820	100.00%	9.107%	3.656%	5.451%	579.520	61%

PIR = Post Industrial Recycled
 PCR = Post Consumer Recycled

Total Product Weight (%)



Total Product Recycled Content (%)



CLEANING, STORAGE & MAINTENANCE

Routine servicing	Periodic inspection
Service components	No user serviceable components
Cleaning & Maintenance	Damp cloth, no abrasives, no solvents to be used on the cosmetic surfaces. IMPORTANT: Always disconnect from power source when cleaning.
Handling & Storage	Do not drop or expose to moisture

Colebrook Bosson Saunders (Products) Ltd accept no liability for the accuracy of the information contained herein and retain the right to modify the specifications or data contained herein without prior notification.