



# DESKLIFT<sup>™</sup> Feet

## Data sheet

# DESKLIFT™ Feet

---

DESKLIFT™ Feet (DL Feet) is a wide product range of various desk feet especially for office desks. The feet are available in two different lengths (560 mm and 710 mm) and two different ways of mounting the column (on top or recessed). DL Feet fits to a wide range of LINAK® columns and, with the unobtrusive design, they blend perfectly into various office desk designs. DL Feet are available as a set-packed solution, where feet are boxed with adjustment screws and mounting screws for the columns for added convenience, or simply as bulk deliveries. Combined with a Kick & Click™ top frame and a DL set-packed solution you have a complete desk frame with a vast range of possibilities for combination and a high degree of convenience.



---

## Features (all versions):

- Colours (all metal parts): Black (RAL 9005), grey (RAL 9006) or white (RAL 9016)
- Two lengths: 560 mm (22") or 710 mm (28")
- Two ways of mounting the column: On top of the foot or recessed
- Several widths optimised for different column types
- Set-packed deliveries include adjustment screws and mounting screws for the column

## Options

- Customised colours

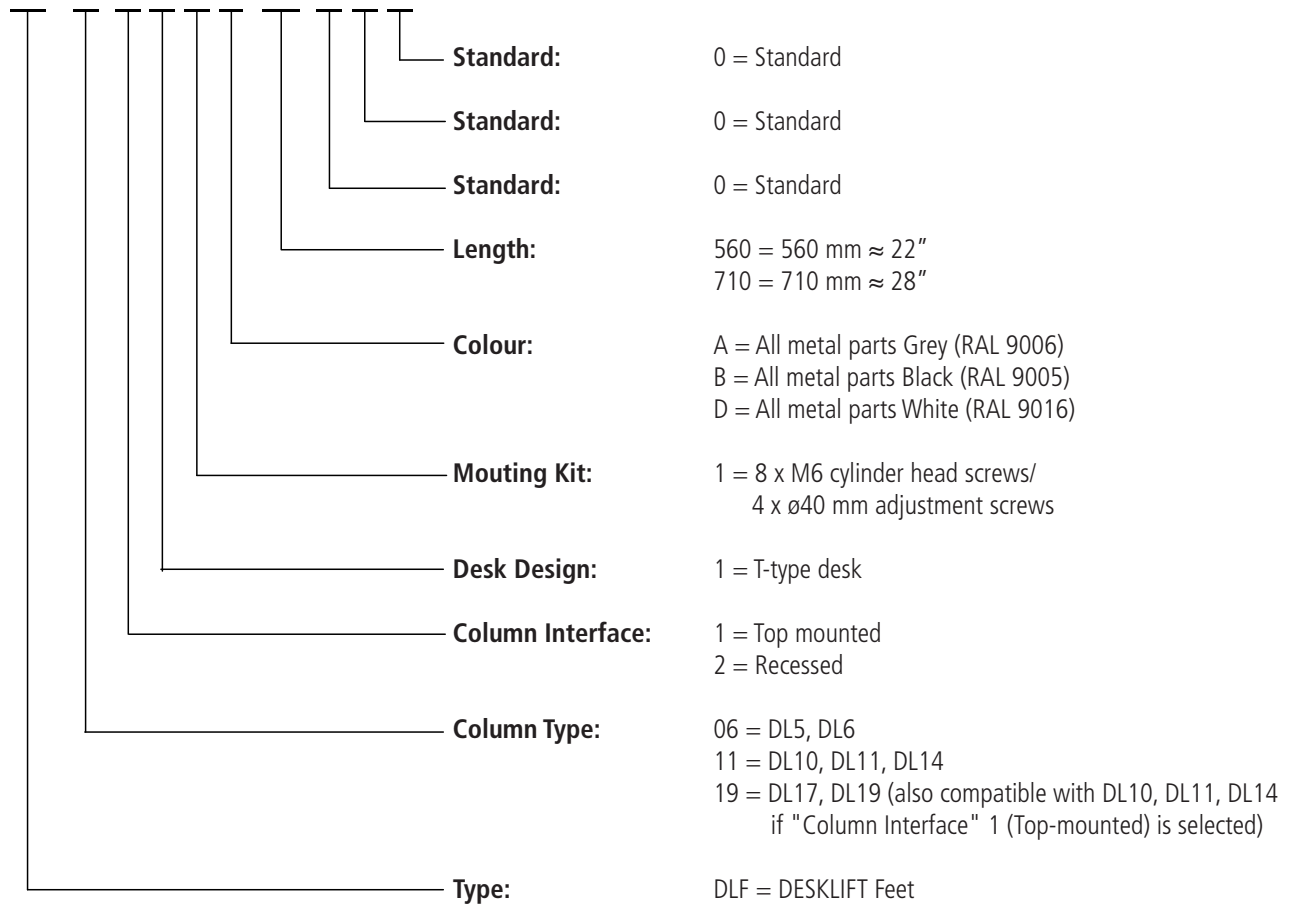
## Usage:

- Compatible with DESKLINE® columns
  - DL5, DL6, DL10, DL11 and DL19 (standard and IC versions)
  - DL14 and DL17
- Compatible with T-desk designs
- Possible to construct a complete frame by using the Kick & Click™ top frame
- Available as set-packed or bulk deliveries
- DESKLIFT Feet have been tested in accordance with EN527-1, EN527-2 and ANSI Bifma 5.5 in connection with a Kick & Click™ top frame

**Please observe that a full frame solution is available with motor housing columns only.**

**Combination overview:**

**DLF 06 1 1 1 A 710 0 0 0**



Please observe that the standard combinations are created via eCon.

Set-packed solutions consist of:

- 2 feet
- 4 x adjustment screws (ø40 mm)
- 8 x M6 mounting screws for the column

**DL Feet set-packed versions available:**

Econ article number	Combination code	Compatible with DESKLIFT™ column			Length (cm/inch)	Colour (RAL)	Mounting On top (T) Recessed (R)
		DL5/DL6	DL10/DL11/ DL14*	DL19/ DL17*			
DLF00007	DLF19111A710000		X	X	710/28"	Grey (RAL 9006)	T
DLF00008	DLF19111B710000		X	X	710/28"	Black (RAL 9005)	T
DLF00009	DLF19111D710000		X	X	710/28"	White (9016)	T
DLF00010	DLF19111A560000		X	X	560/22"	Grey (RAL 9006)	T
DLF00011	DLF19111B560000		X	X	560/22"	Black (RAL 9005)	T
DLF00012	DLF19111D560000		X	X	560/22"	White (9016)	T
DLF00001	DLF06111A710000	X			710/28"	Grey (RAL 9006)	T
DLF00002	DLF06111B710000	X			710/28"	Black (RAL 9005)	T
DLF00003	DLF06111D710000	X			710/28"	White (9016)	T
DLF00004	DLF06111A560000	X			560/22"	Grey (RAL 9006)	T
DLF00005	DLF06111B560000	X			560/22"	Black (RAL 9005)	T
DLF00006	DLF06111D560000	X			560/22"	White (9016)	T
DLF00025	DLF19211A710000			X	710/28"	Grey (RAL 9006)	R
DLF00026	DLF19211B710000			X	710/28"	Black (RAL 9005)	R
DLF00027	DLF19211D710000			X	710/28"	White (9016)	R
DLF00028	DLF19211A560000			X	560/22"	Grey (RAL 9006)	R
DLF00029	DLF19211B560000			X	560/22"	Black (RAL 9005)	R
DLF00030	DLF19211D560000			X	560/22"	White (9016)	R
DLF00019	DLF11211A710000		X		710/28"	Grey (RAL 9006)	R
DLF00020	DLF11211B710000		X		710/28"	Black (RAL 9005)	R
DLF00021	DLF11211D710000		X		710/28"	White (9016)	R
DLF00022	DLF11211A560000		X		560/22"	Grey (RAL 9006)	R
DLF00023	DLF11211B560000		X		560/22"	Black (RAL 9005)	R
DLF00024	DLF11211D560000		X		560/22"	White (9016)	R
DLF00013	DLF06211A710000	X			710/28"	Grey (RAL 9006)	R
DLF00014	DLF06211B710000	X			710/28"	Black (RAL 9005)	R
DLF00015	DLF06211D710000	X			710/28"	White (9016)	R
DLF00016	DLF06211A560000	X			560/22"	Grey (RAL 9006)	R
DLF00017	DLF06211B560000	X			560/22"	Black (RAL 9005)	R
DLF00018	DLF06211D560000	X			560/22"	White (9016)	R

**DL Feet bulk versions available:**

Column	Fitting Foot article number	Order quantity (per pallet)	Compatible with DeskLift column			Length (cm/inch)	Colour (RAL)	Mounting On top (T) Recessed (R)
			DL5/DL6	DL10/DL11 /14*	DL19/DL17*			
DL10-DL19	1037W9162-710-120	114		X	X	710/28"	Grey (RAL 9006)	T
DL10-DL19	1037W9162-710-001	114		X	X	710/28"	Black (RAL 9005)	T
DL10-DL19	1037W9162-710-022	114		X	X	710/28"	White (9016)	T
DL10-DL19	1037W9163-560-120	170		X	X	560/22"	Grey (RAL 9006)	T
DL10-DL19	1037W9163-560-001	170		X	X	560/22"	Black (RAL 9005)	T
DL10-DL19	1037W9163-560-022	170		X	X	560/22"	White (9016)	T
DL5/6	1037W9166-710-120	170	X			710/28"	Grey (RAL 9006)	T
DL5/6	1037W9166-710-001	170	X			710/28"	Black (RAL 9005)	T
DL5/6	1037W9166-710-022	170	X			710/28"	White (9016)	T
DL5/6	1037W9167-560-120	228	X			560/22"	Grey (RAL 9006)	T
DL5/6	1037W9167-560-001	228	X			560/22"	Black (RAL 9005)	T
DL5/6	1037W9167-560-022	228	X			560/22"	White (9016)	T
DL19	1037W9185-710-120	94			X	710/28"	Grey (RAL 9006)	R
DL19	1037W9185-710-001	94			X	710/28"	Black (RAL 9005)	R
DL19	1037W9185-710-022	94			X	710/28"	White (9016)	R
DL19	1037W9184-560-120	132			X	560/22"	Grey (RAL 9006)	R
DL19	1037W9184-560-001	132			X	560/22"	Black (RAL 9005)	R
DL19	1037W9184-560-022	132			X	560/22"	White (9016)	R
DL11	1037W9183-710-120	94		X		710/28"	Grey (RAL 9006)	R
DL11	1037W9183-710-001	94		X		710/28"	Black (RAL 9005)	R
DL11	1037W9183-710-022	94		X		710/28"	White (9016)	R
DL11	1037W9182-560-120	132		X		560/22"	Grey (RAL 9006)	R
DL11	1037W9182-560-001	132		X		560/22"	Black (RAL 9005)	R
DL11	1037W9182-560-022	132		X		560/22"	White (9016)	R
DL5/6	1037W9187-710-120	132	X			710/28"	Grey (RAL 9006)	R
DL5/6	1037W9187-710-001	132	X			710/28"	Black (RAL 9005)	R
DL5/6	1037W9187-710-022	132	X			710/28"	White (9016)	R
DL5/6	1037W9186-560-120	170	X			560/22"	Grey (RAL 9006)	R
DL5/6	1037W9186-560-001	170	X			560/22"	Black (RAL 9005)	R
DL5/6	1037W9186-560-022	170	X			560/22"	White (9016)	R

**Screws** (must be ordered separately for bulk deliveries).

Type of screw	Article number	Pieces needed per foot
Adjustment screw	SA1037W9902	2
Mounting screw for the column (M6 x 16)	SA1037W9901	4

## DL Feet weight

Type of DESKLIFT™ Feet	Approx. weight per foot (kg)	Approx. weight as a set-packed solution (kg)
DL5/6, on top mounted, short	1.4	3.0
DL5/6, on top mounted, long	1.8	3.8
DL5/6, recessed mounted, short	1.8	3.9
DL5/6, recessed mounted, long	2.3	4.9
DL10/11/14, 19 on top mounted, short	1.7	3.6
DL10/11/14, 19 on top mounted, long	2.1	4.4
DL10/11/14, recessed mounted, short	2.3	4.8
DL10/11/14, recessed mounted, long	2.9	6.0
DL17/19, recessed mounted, short	2.3	4.8
DL17/19, recessed mounted, long	2.9	6.0

## Dimensional drawings

### Feet for DL5/DL6 columns mounted on top

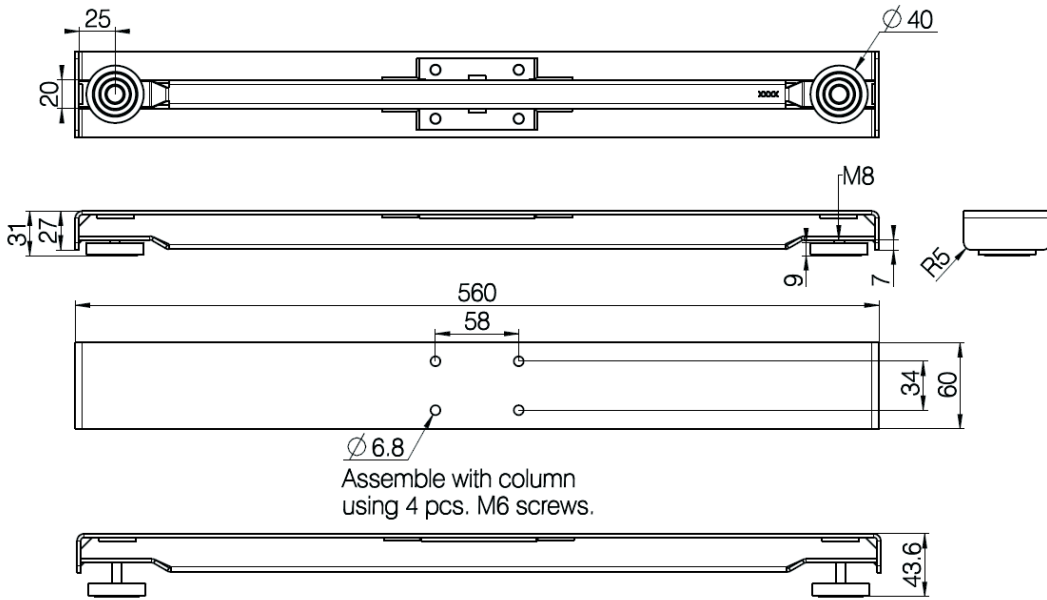


Figure 1 Length: 560 mm

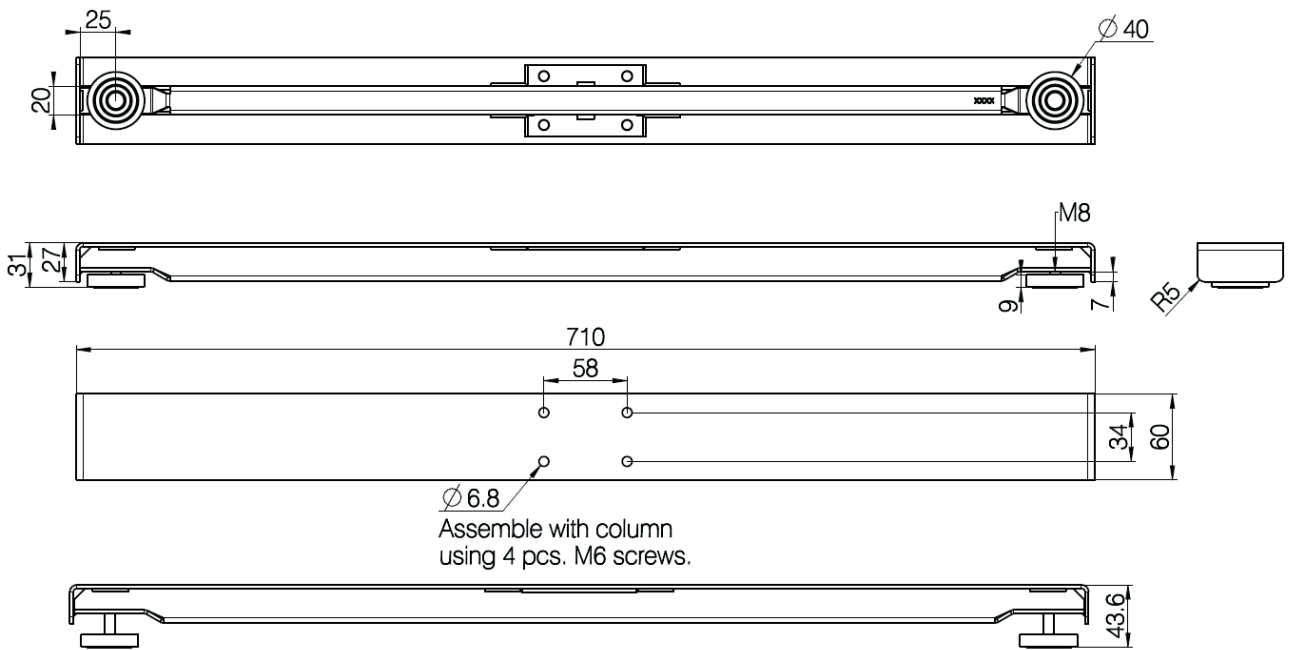


Figure 2 Length: 710 mm

Feet for DL10/DL11/DL14/DL17/DL19 columns mounted on top

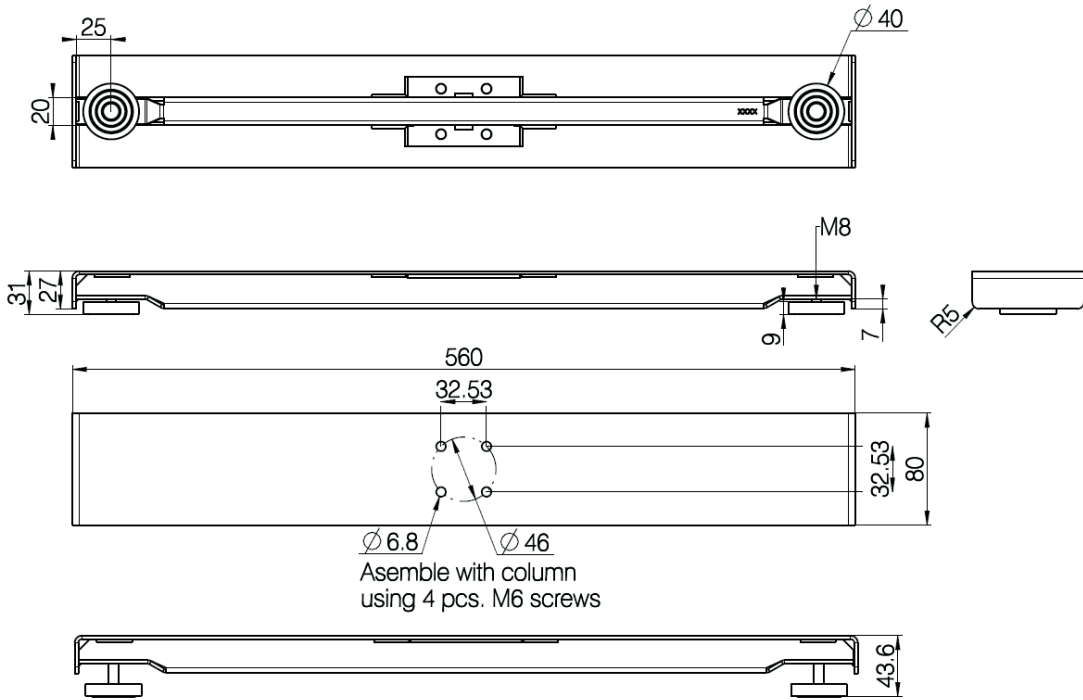


Figure 3 Length: 560 mm

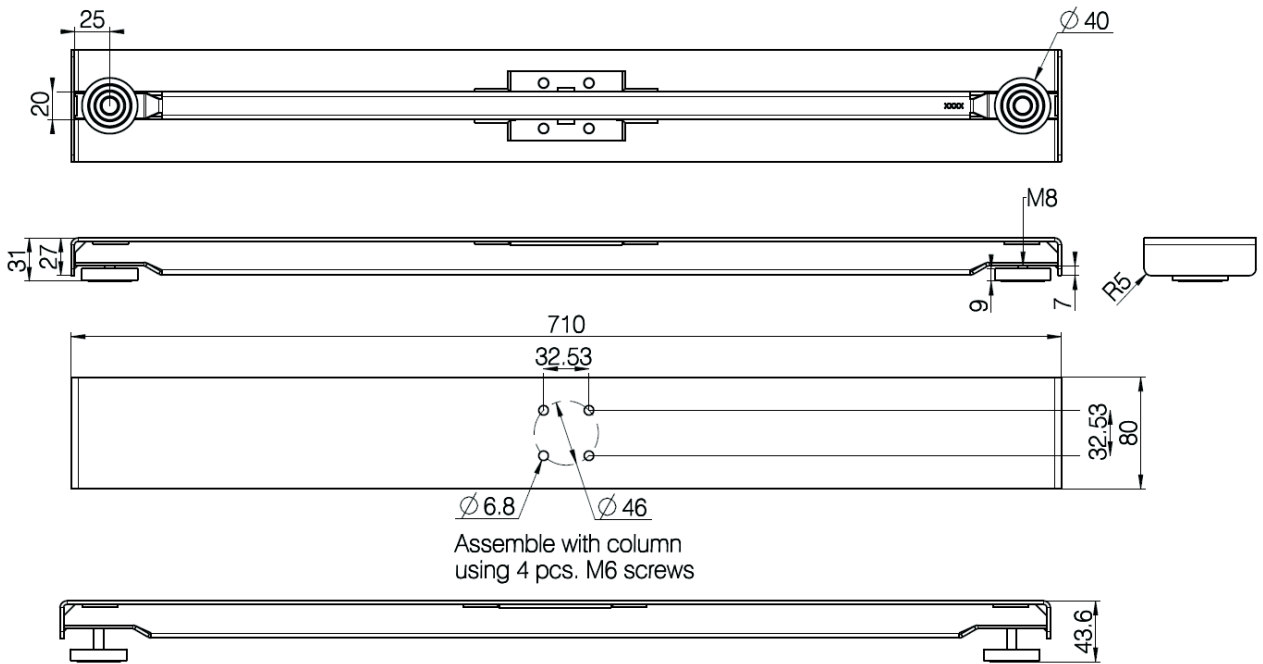


Figure 4 Length: 710 mm



Feet for DL5/DL6 columns mounted recessed

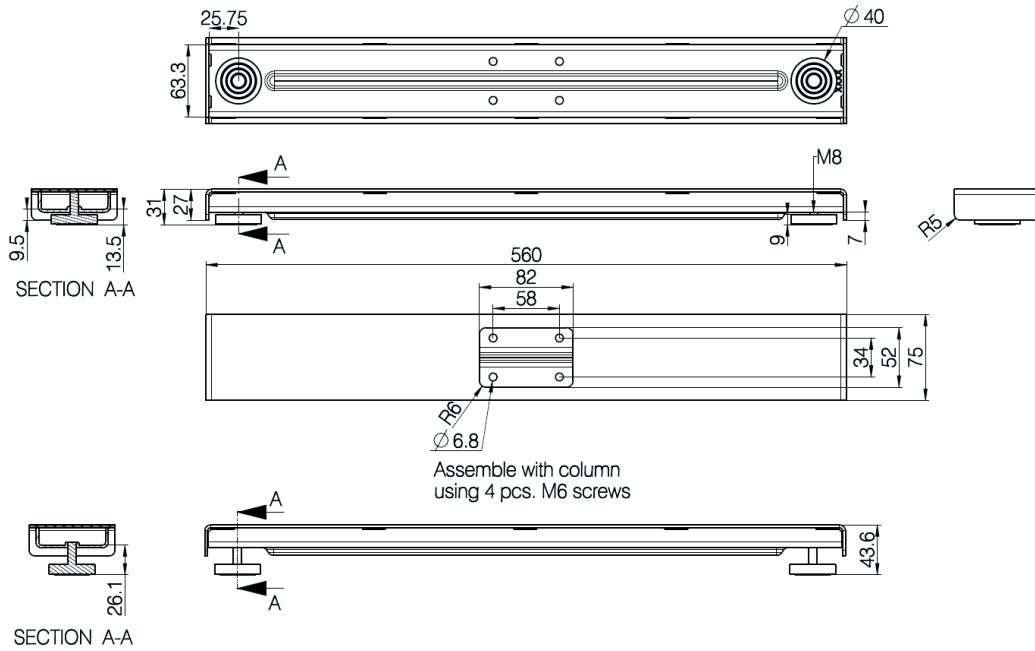


Figure 5 Length: 560 mm

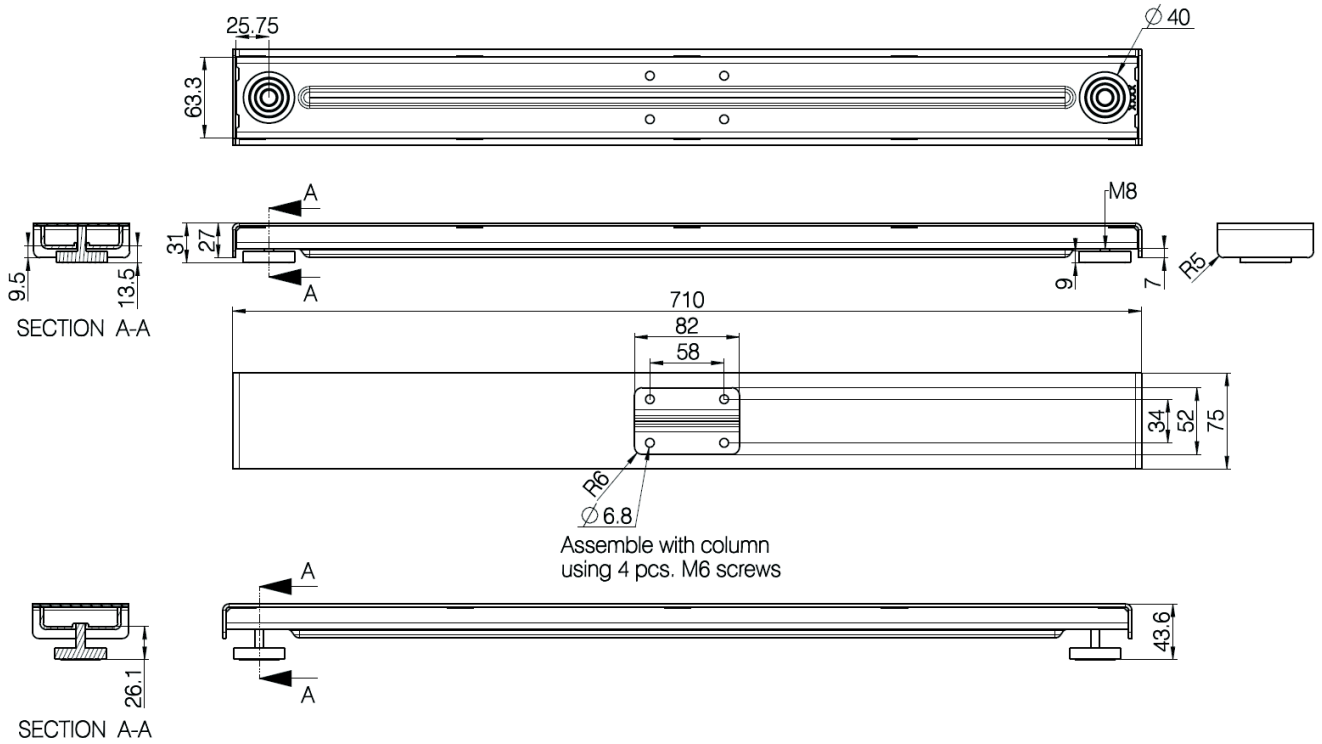


Figure 6 Length: 710 mm

Feet for DL10/DL11/DL14 columns mounted recessed

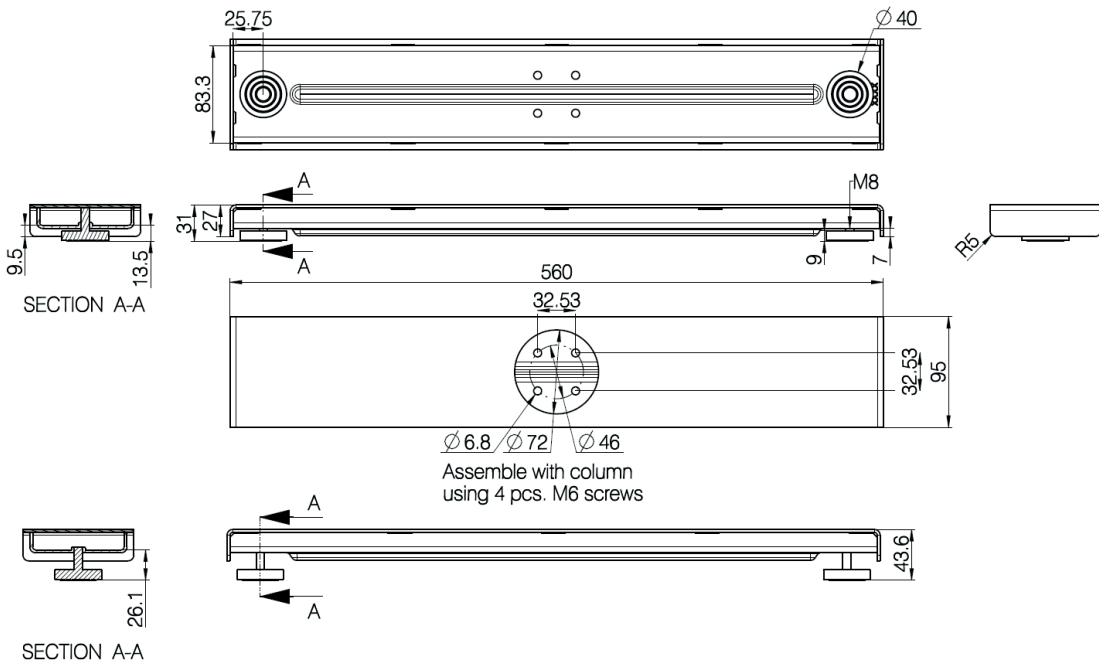


Figure 7 Length: 560 mm

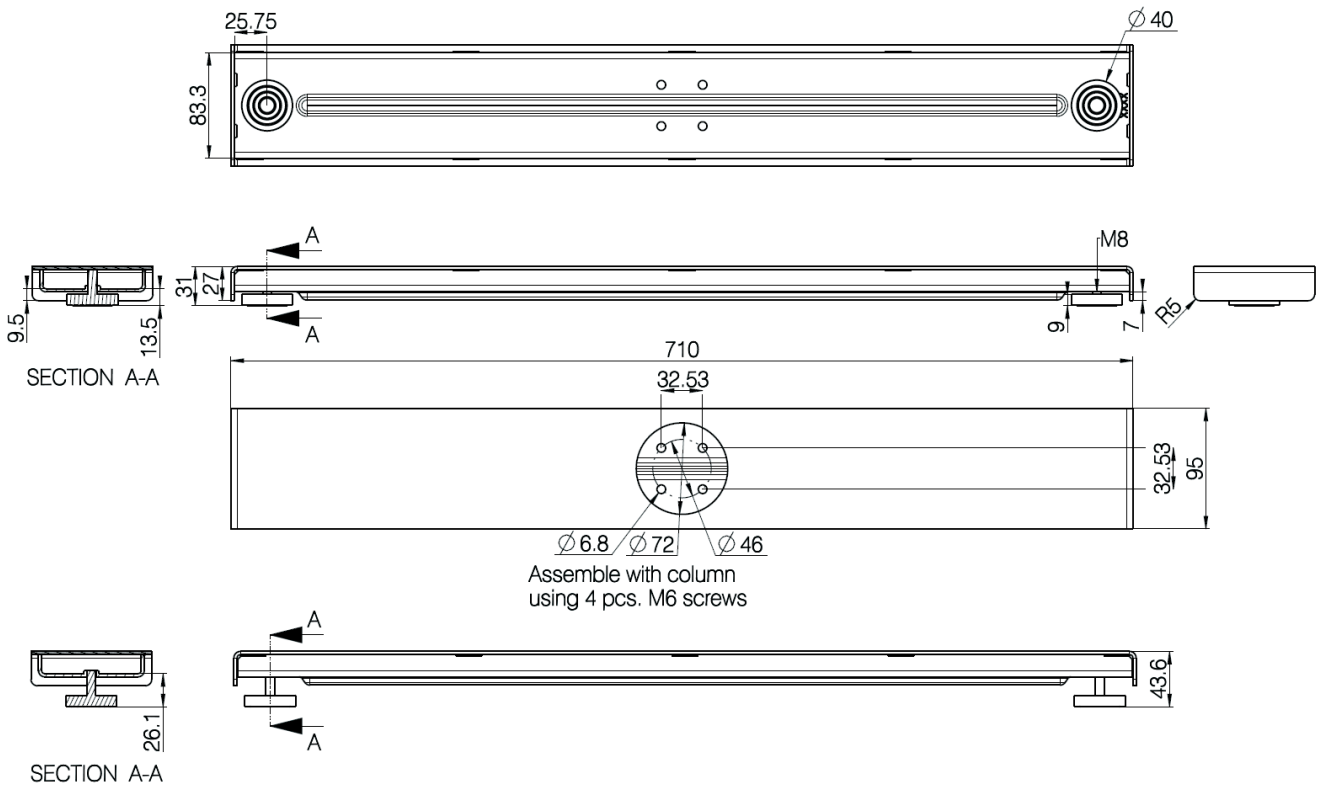


Figure 8 Length: 710 mm

Feet for DL17/DL19 columns mounted recessed

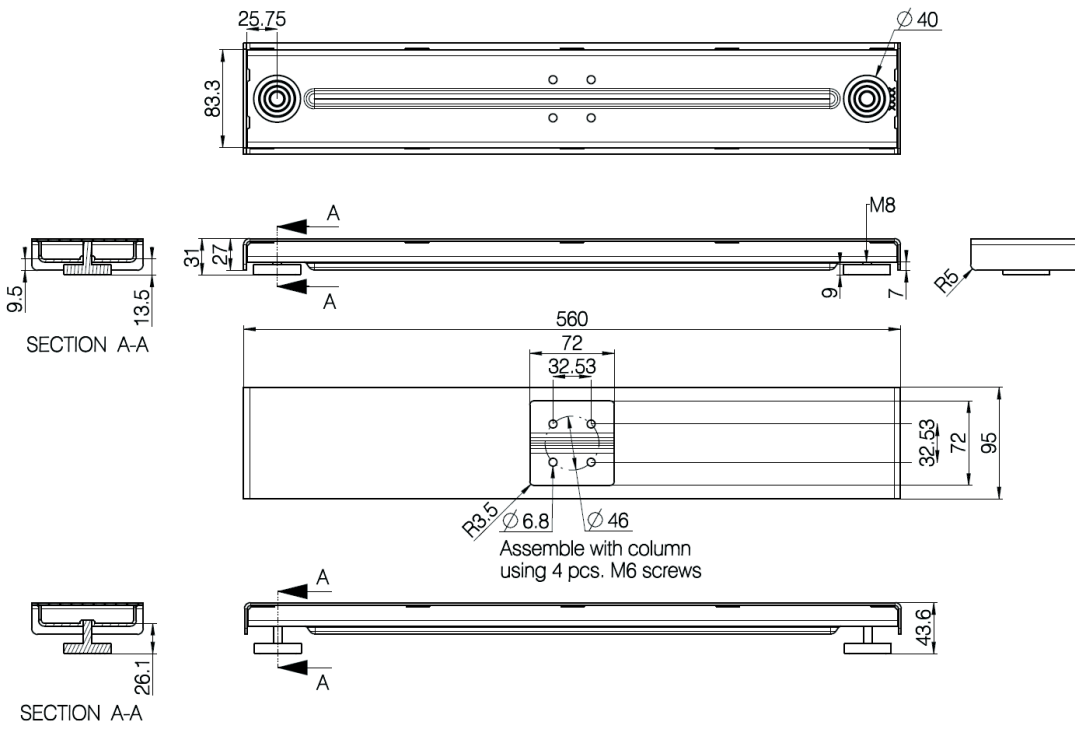


Figure 9 Length: 560 mm

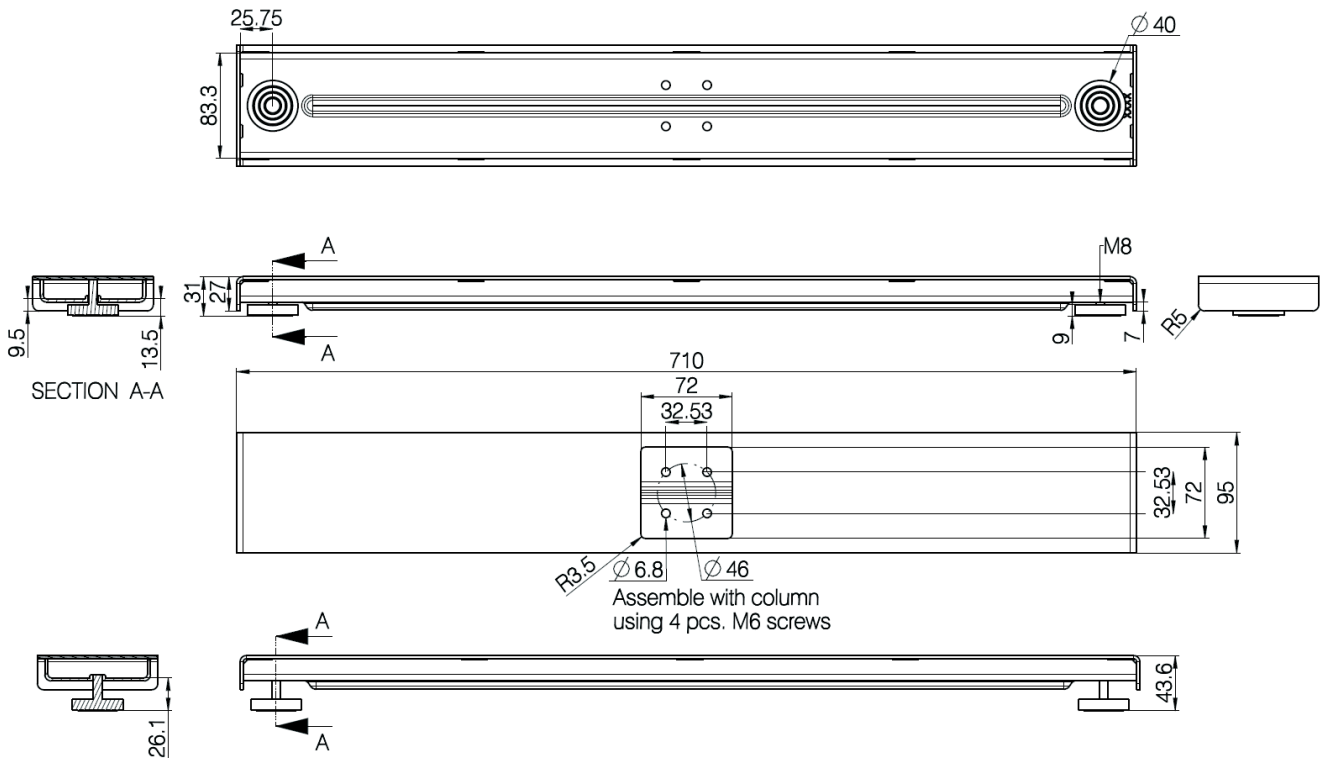


Figure 10 Length: 710 mm

## Adjustment screw

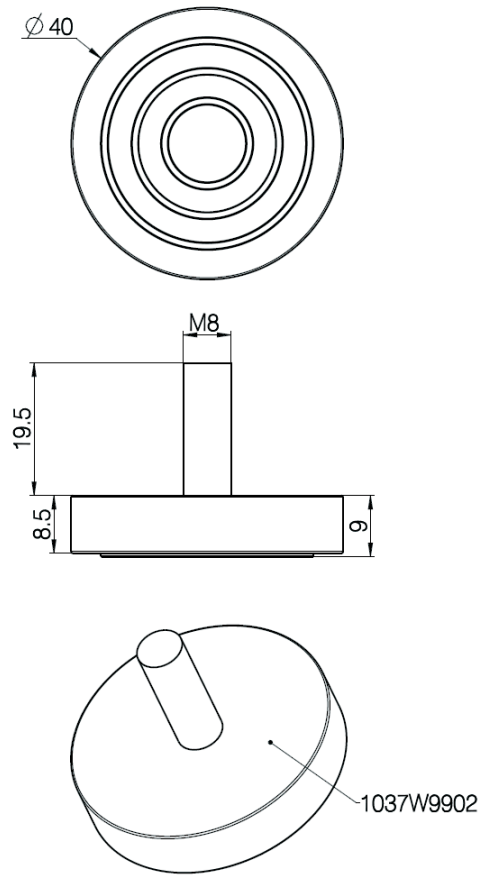


Figure 11 Adjustment screw (dimensions in mm)

### Terms of use

The user is responsible for determining the suitability of LINAK products for specific application. LINAK takes great care in providing accurate and up-to-date information on its products.

However, due to continuous development in order to improve its products, LINAK products are subject to frequent modifications and changes without prior notice. Therefore, LINAK cannot guarantee the correct and actual status of said information on its products.

While LINAK uses its best efforts to fulfill orders, LINAK cannot, for the same reasons as mentioned above, guarantee the availability of any particular product. Therefore, LINAK reserves the right to discontinue the sale of any product displayed on its website or listed in its catalogues or other written material drawn up by LINAK.

All sales are subject to the Standard Terms of Sale and Delivery for LINAK. For a copy hereof, please contact LINAK.