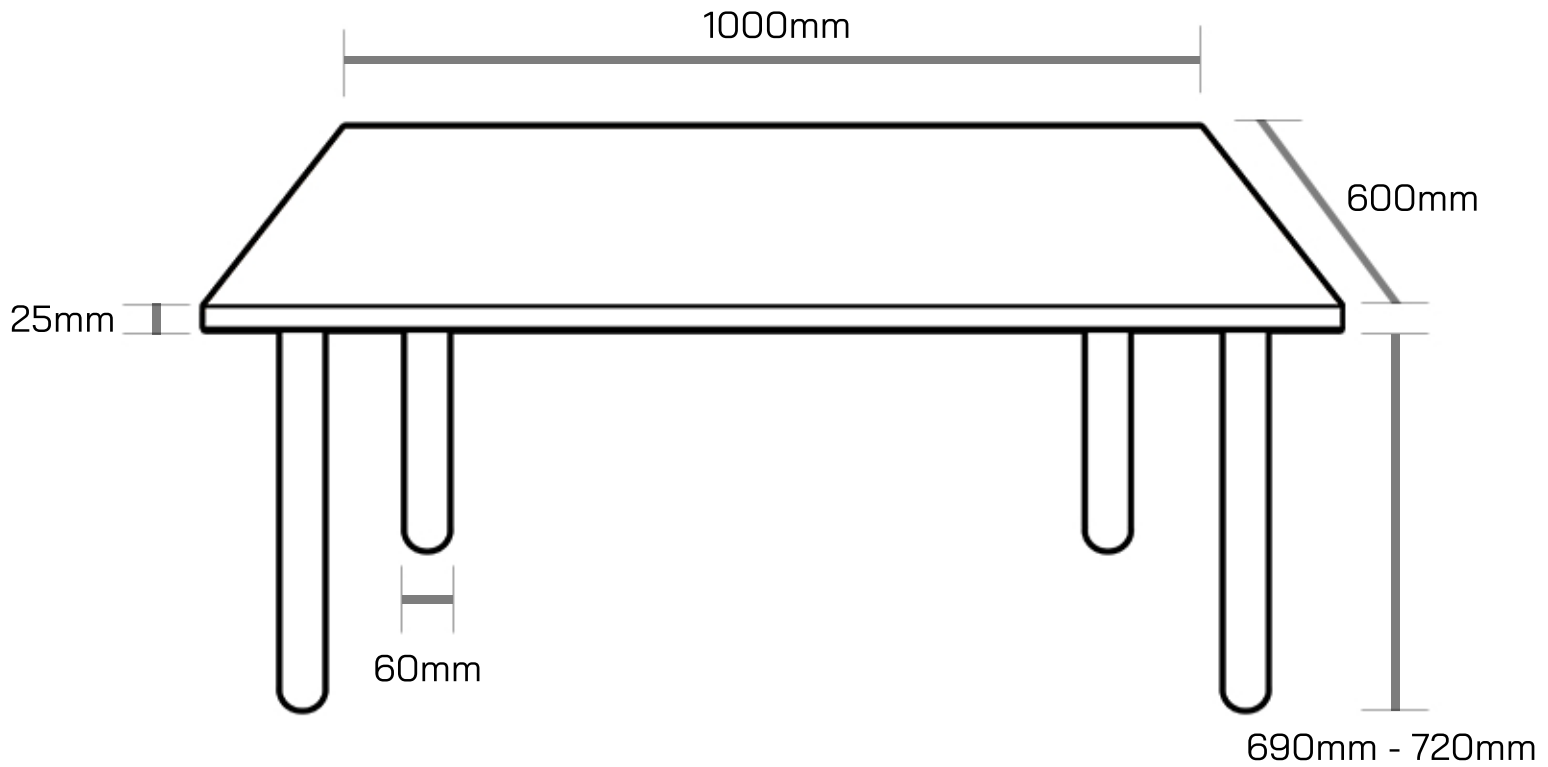
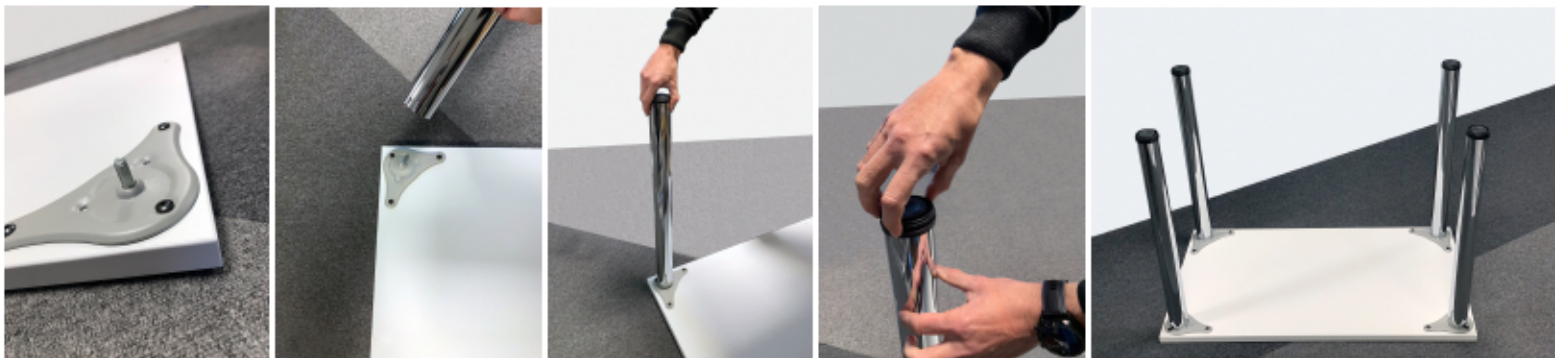


Homeworker Desk

1000mm x 600mm



Assembly Instructions



Step 1

Place the desktop upside down on a flat surface, with the pre-fitted bracket fixing and bolts facing upwards.

Step 2

Remove legs from packaging and screw into position, turning the legs clockwise until the leg is secure. Repeat this process for all 4 legs.

Step 3

Turn the pre-fitted leg extenders anti-clockwise to gain up to 30mm of additional desk height. These can also be used to level the desk if your floor is uneven.

Step 4

Your desk assembly is now complete.

You can now put your desk in the standing position, with desktop facing upwards.

