



Lotus™ VE Sit-Stand Workstation

Q: Is there assembly required?

A: Yes, there is limited assembly required which should take anywhere from 10-20 minutes. There are only 4 major pieces that need to be assembled together.

Q: How much weight can the Lotus VE sit stand hold?

A: It can hold up to 11.34kg in total; 9.07kg on the top platform / monitor arm(s) and 2.26kg on the keyboard platform.

Q: What size monitor can the Lotus VE hold?

A: The only restriction the single monitor version has is the 9.07kg weight limit. The dual version can accommodate up to 25" diagonal screens with combined weight of 9.07kg.

Q: Does the Lotus VE Sit Stand need to be fastened to the desk?

A: Yes, it clamps to the rear of the desk with a thickness of 2.54cm – 7.93cm.

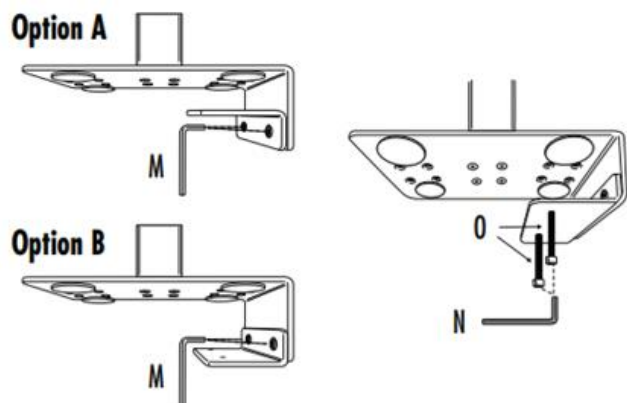
Q: My desk is less than 793mm thick and the clamp won't fit, what am I doing wrong?

A: You will need to flip the base clamp by removing the two bolts and reinstalling. Refer to step 2 in the instruction manual.

STEP 2

Prepare Clamp

- The base clamp comes pre-assembled to fit standard thickness desks (see option A image). If your desk is thicker you can remove the two M6x12mm bolts using the M4x55mm Allen Key and flip the base clamp (see option B image). Re-install the M6x12mm bolts using the M4x55mm Allen Key.
- Insert two M8x80mm bolts into the Base Clamp, only a few turns each.



Q: Will it damage my desktop?

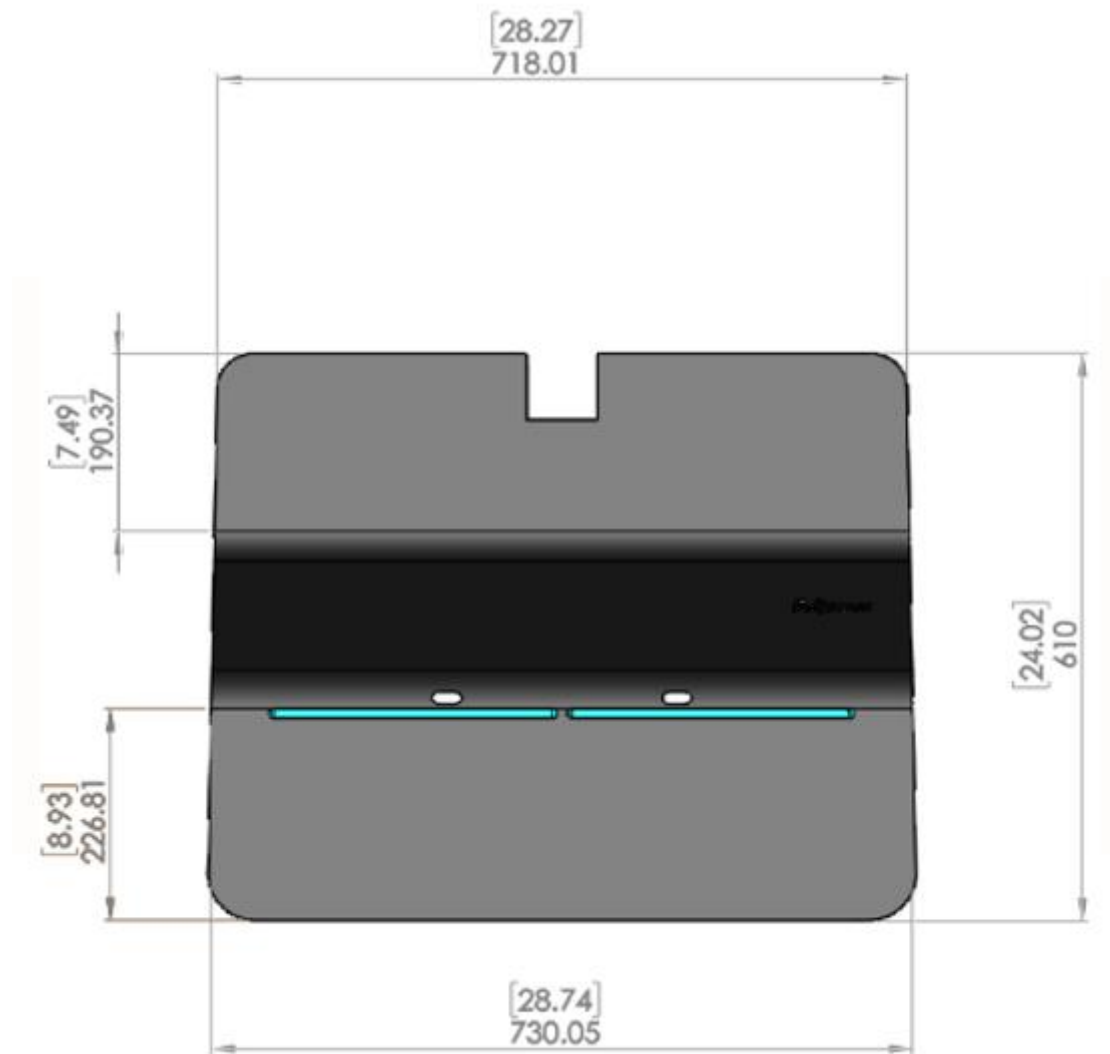
A: No, the clamp and platform have rubber/foam pads that help protect the desk from scratching the surface of your desk.

Q: How stable is the keyboard platform when typing?

A: Under normal use, the platform is stable. If you want to maximise the durability of the product, please do not lean or apply excessive force to the keyboard platform.

Q: What's the minimum size of desk required to successfully install this product?

A: The Lotus should be placed on a sturdy, flat surface at least 609mm deep and 730mm wide to have sufficient space for the product. There are 3 depth adjustments which you can choose from when assembling the product. These allow the front edge of the work surface to sit flush with desk depths 59.9cm, 69.8cm and 80cm.



Q: How long should the power cables be to work with the Lotus™ VE Sit-Stand Workstation?

A: Most cable lengths are an average of 2m, which should be sufficient for working when standing however it would be important to consider where the power sockets are located. The sit-stand raises 38.1cm above the desk. Have the Lotus™ VE in the highest position when putting items on to ensure sufficient cable length.

Q: What is the best way to clean the workstation?

A: Use a soft, clean, dry cloth.

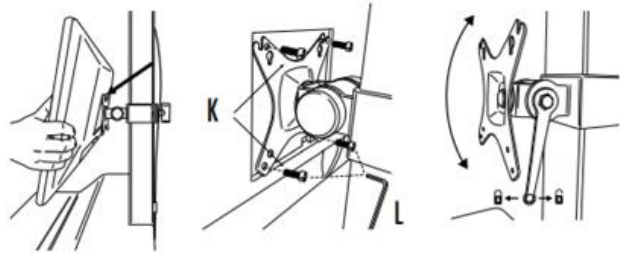
Q: It's too difficult to adjust my monitor when mounted to the VESA plate.

A: Use the two provided Hex Wrenches to adjust the bolts on the sides of the VESA plate. Refer to step 6 of the instruction manual.

STEP 6

Attach Monitors

- Insert two M4x12mm bolts into the top two holes of monitor(s). Do not tighten all the way.
- Hook the monitor onto the VESA Assembly and add two additional M4x12mm bolts to the bottom two holes. Tighten all four bolts.
- To adjust the VESA Assembly tension remove the plastic cap and use the provided 13mm Hex Wrenches



Q: Is the Lotus™ VE ergonomically certified?

A: Yes, our product has been independently certified by FIRA international, an independent ergonomic accreditor, to comply with EU Health and Safety legislation: EN ISO9241 Ergonomic requirements for office work with visual display terminals (VDT's): Part 5: 1999, workstation layout and postural requirements.

Q: What is the warranty length?

A: 5 years. Please see the product manual for full terms and conditions.