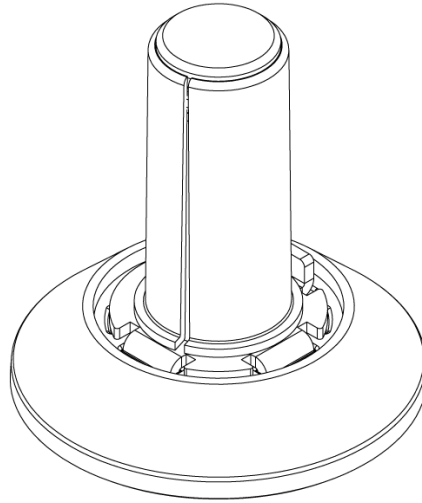




## TECHNICAL SPECIFICATION SHEET

**PRODUCT NAME:** Flo Through Desk Fixing Kit  
**PRODUCT CODE:** DYN/013/AS12  
Doc Rev 1. 07.05.21 CS



\*Note that through desk fixing (WSH/100S12/K or WSH/50S12/K) needs to be ordered separately if required

### KEY FEATURES

- Configurable 180° stop system
- Compatible with Flo & Ollin
- Product comes with 3 coloured clamp covers: light grey, dark grey & black
- Easy Installation

<b>Max load</b>	9kg (19.8lbs)
<b>Total product recyclable</b>	98.8%
<b>Recycled content</b>	25.5%
<b>Product packaging</b>	100% plastic free

## LOGISTICAL

<b>Box contains</b>	Flo Through Desk Fixing Kit incl. Rotational Stop
<b>Product net weight</b>	0.15kg
<b>Box dims (HxWxD)</b>	80 x 100 x 82mm
<b>Box gross weight</b>	0.22kg
<b>Master carton quantity</b>	27
<b>Master carton dims (HxWxD)</b>	335 x 275 x 285mm
<b>Master weight</b>	196kg
<b>Pallet quantity</b>	729
<b>Pallet dims (HxWxD)</b>	1030 x 880 x 1030mm
<b>Country of origin</b>	China

## ORDERING INFORMATION

<b>Product Description</b>	<b>Product Code</b>	<b>Colour</b>
Flo Through Desk Fixing Kit incl. Rotational Stop	DYN/013/AS12	N/A

## WARRANTY

Warranty Term	12 years
---------------	----------

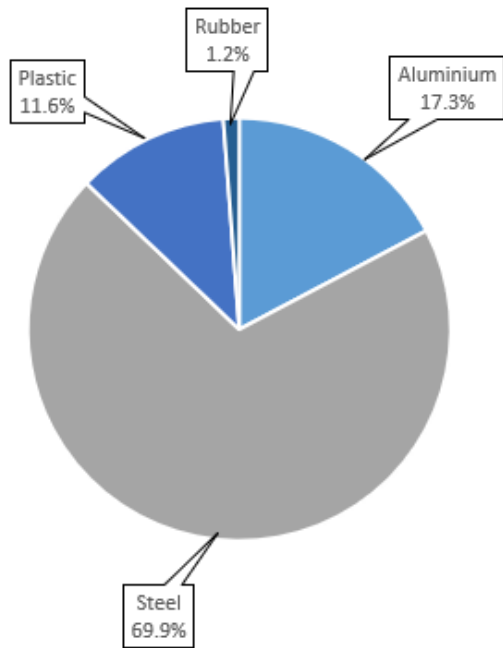
## ENVIRONMENTAL

Material Make-up			Total Recycled Content	Breakdown of Recycled Content		Total Recyclable	
Overall Product			Overall Product	Overall Product		Overall Product	
Material type	Total Material type weight (g)	Percentage of Total Product Weight (%)	Material-Type Recycled Content (%)	Percentage PIR of total weight (%)	Percentage PCR of total weight (%)	Total Product Recyclable (g)	Total Product Recyclable (%)
Aluminium	32.8	17.3%	16.4%	8.7%	7.7%	32.8	17.3%
Steel	132.7	69.9%	9.1%	1.5%	7.5%	132.7	69.9%
Plastic	22.1	11.6%	0.0%	0.0%	0.0%	22.1	11.6%
Rubber	2.3	1.2%	0.0%	0.0%	0.0%	0.0	0.0%
<b>Total</b>	<b>189.9</b>	<b>100.0%</b>	<b>25.5%</b>	<b>10.2%</b>	<b>15.3%</b>	<b>187.6</b>	<b>98.8%</b>

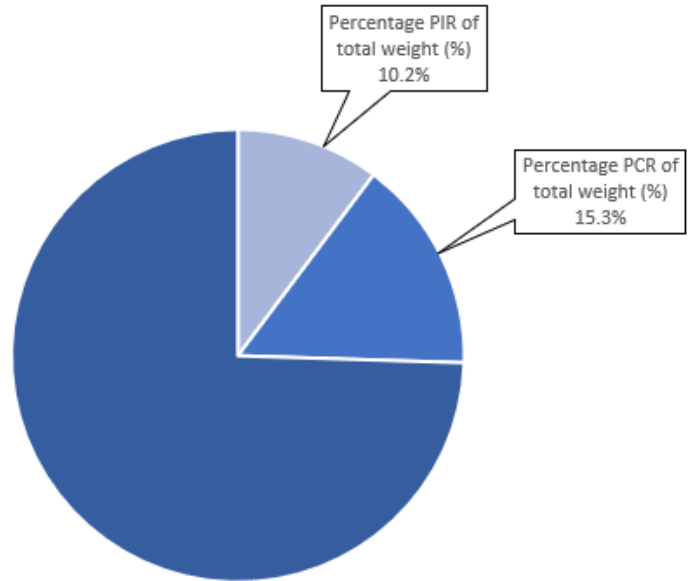
Due to calculation rounding there may be some small variations in displayed percentage totals.

PIR = Post Industrial Recycled  
PCR = Post Consumer Recycled

Total Product Weight (%)



Total Product Recycled Content (%)



## CLEANING, STORAGE & MAINTENANCE

---

<b>Routine servicing</b>	Periodic inspection
<b>Service components</b>	Available to order
<b>Cleaning &amp; Maintenance</b>	Damp cloth, no abrasives, no solvents to be used on the cosmetic surfaces
<b>Handling &amp; Storage</b>	Do not drop or expose to moisture

---

While every effort is made to ensure the accuracy of our technical information, Colebrook Bosson Saunders (Products) Ltd accept no liability for the accuracy of the information contained in this document and reserve the right to modify the specifications or data contained herein without prior notification.